

NASCAR SUPER SOUND™

ELECTRIC RACING SET

The descriptions of the track pieces below do not appear on the track; they are for reference only. The part number, as listed beside each track piece, does appear on each track piece. To lay out the set, match the track pieces to the parts list below, then lay out the track as shown below. **Please retain this SpecSheet for future reference.**

NOTE: Refer to the accompanying Owner's Manual for wiring instructions for Power Pak and assembly instructions for track and other pieces.

CONTENTS

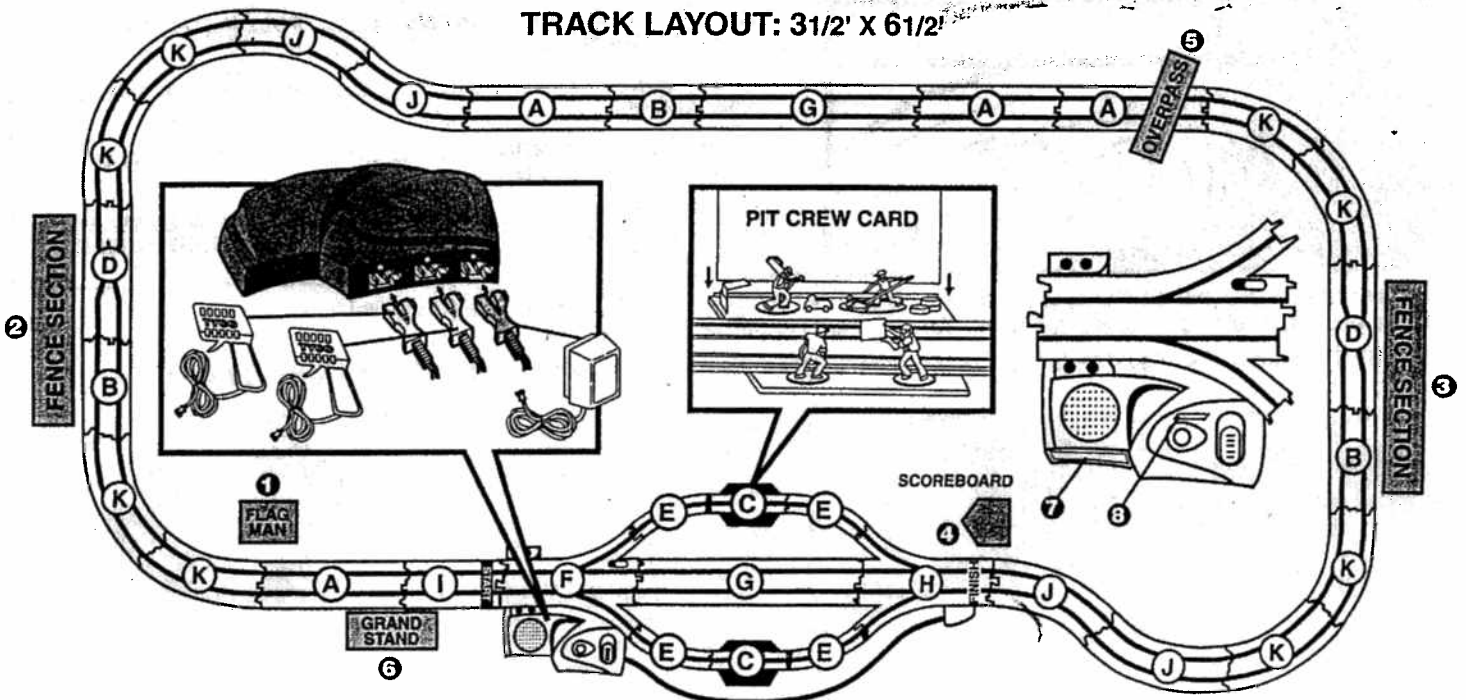
(B5829T) A (4) 9 in. Straight	(B5830T) B (3) 6 in. Straight	(37574-9289) C (2) 4 in. Straight Single Lane	(B5841) D (2) 9 in. Lane Changer	(B5846HE) E (4) 9 in. Radius Curve (1/8 Circle) Single Lane	(37574-9109) F (1) Track with Sound Unit
(B5838T) G (2) 15 in. Straight	(37574-9279) H (1) Sensor Track w/deco	(33589-6019) I (1) 6 in. Straight w/ deco	(B5846) J (4) 9 in. Radius Curve (1/8 Circle)	(B5852) K (8) 9 in. Radius Bank	

ACCESSORIES		SCENERY	
(B615EE) (2) Plug-In Racing Controllers	(B631S) (1) 110 volt Power Pak	(B793606) (1) bag of 8 Billboard Sign Clips	(37574-9019) (1) bag of 5 Cord Clips
		(1) Sandpaper	(2) Pit Crew Cards
(2) Gas Figures	(2) Tire Figures	(2) Display Bases	(1) Label Sheet
(2) Jack Figures	(2) Sign Figures	Carefully punch out cardboard pieces from large sheets.	

Kodak Monte Carlo
Caterpillar No. 1430
(B33023)

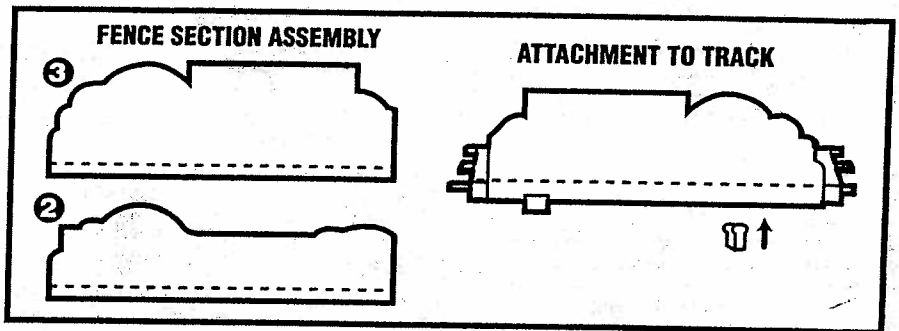
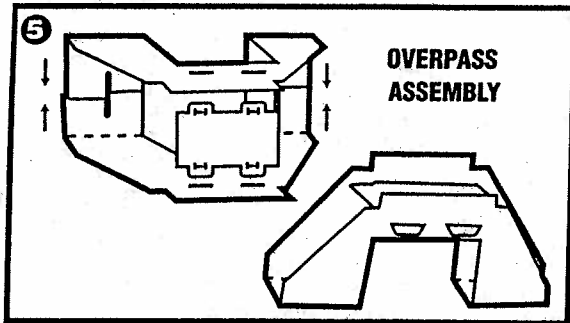
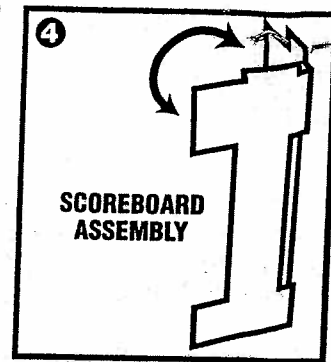
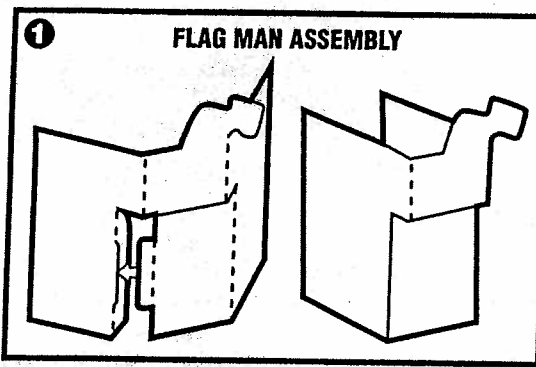
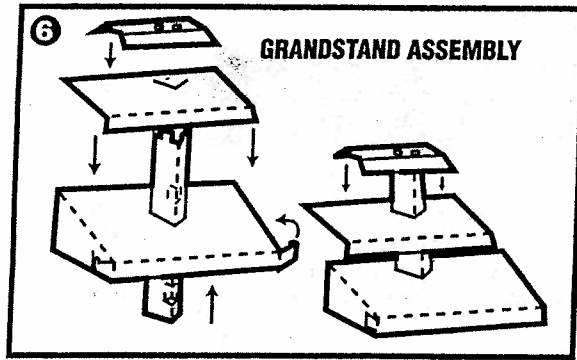
(2) NASCAR® Racers

TRACK LAYOUT: 31 1/2' X 61 1/2'



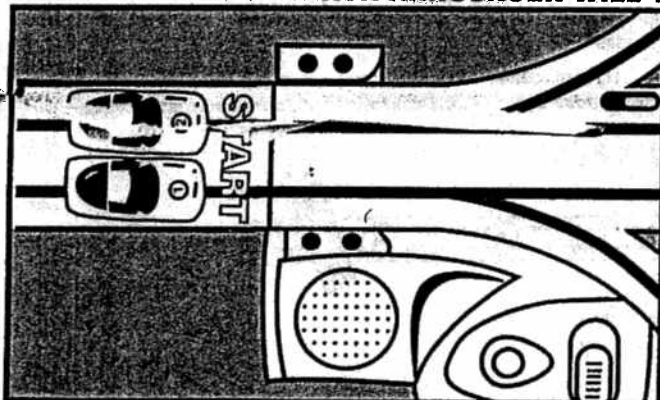
IMPORTANT: ALWAYS CLEAN TRACK AND TIRES BEFORE EACH RACE.
CAR MAINTENANCE TIP: When rear tires get dirty, run them over a piece of sticky tape to clean them.

SCENERY



- Insert 3 "AA" alkaline batteries into Sound Unit as shown in Layout Diagram. Make sure polarity (+/-) matches diagram inside battery compartment.
- Plug cord of Sensor Track into Sound Unit as shown. Clip cord to track using Cord Clips as shown.
- Insert Pit Crew Backdrop Cards into Pit Crew Bases, as shown.
- Put cars on track at "START" line. **OUTSIDE TRACK: CAR #1. INSIDE TRACK: CAR #2.**
- Turn Sound Unit "ON." Press "START" button. The LED display will flash and engine sounds will begin.
- When the Track Announcer says "THERE'S THE GREEN FLAG!", start racing!
REMEMBER: you'll have to make several pit stops during the race in order to win – just like a real race car driver. Keep listening to the Track Announcer for your pit stop calls!

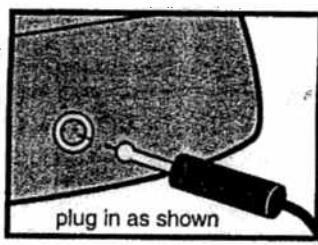
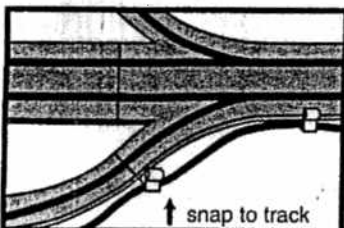
THE TRACK ANNOUNCER WILL TELL YOU WHAT TO DO DURING THE RACE:



ANNOUNCEMENT	ACTION
THERE'S THE GREEN FLAG!..... (Green LEDs on)	START THE RACE!
CAR 1, PIT NOW! or CAR 2, PIT NOW!..... (Red LED flashing)	PULL INTO THE PIT!
GO, GO, GO!..... (Green LED on)	PULL OUT OF THE PIT!
CAR 1, ONE LAP TO GO! or..... CAR 2, ONE LAP TO GO!	ONE LAP TO FINISH!
CAR 1 WINS! or CAR 2 WINS!..... (Winning lane: Green LED flashing) (Losing lane: Red LED on)	YOU'RE THE WINNER! THE CROWD CHEERS!

NOTE: If you don't make your pit stops, or if you leave the pit too soon, your car will lose half of its power! The Track Announcer will keep telling you to pit. You won't get full power back until you do!

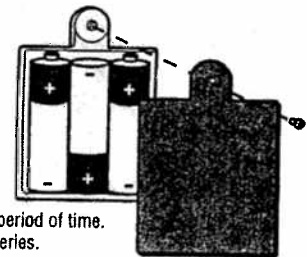
IMPORTANT: To pull into the pits, slow down as you reach the Speed-Steering™ pit turn-off. This will take a little practice!



BATTERY INSTALLATION
Insert 3 "AA" alkaline batteries as shown. Make sure polarity (+/-) matches diagram inside battery compartment.

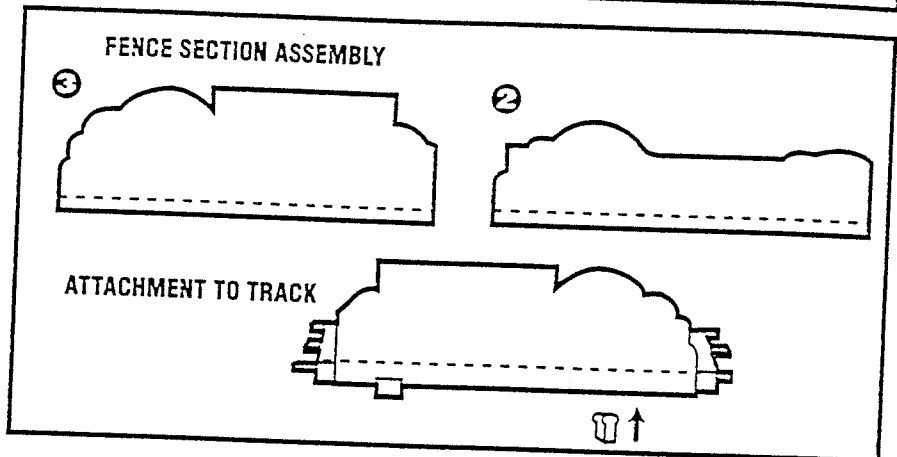
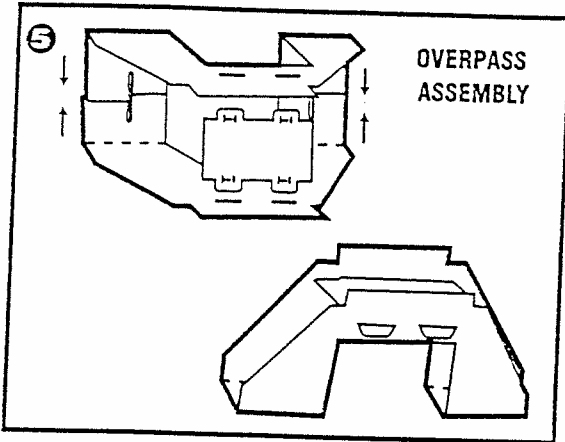
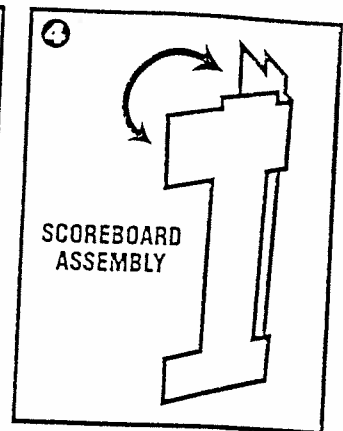
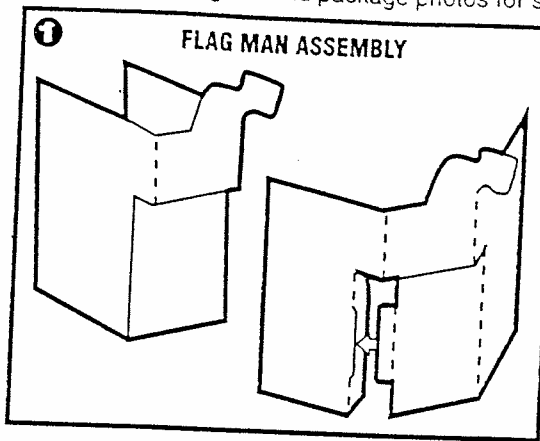
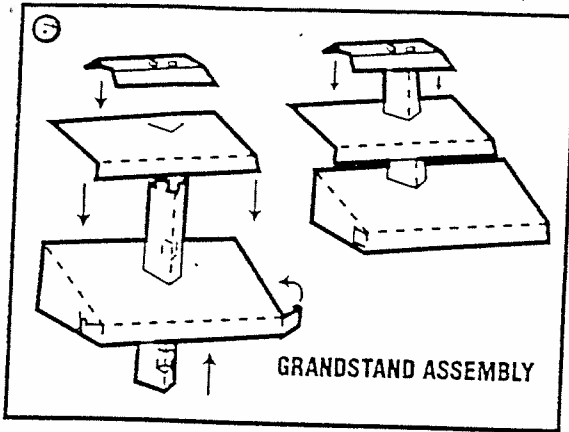
IMPORTANT BATTERY INFORMATION

- Do not mix old and new batteries.
- Do not mix alkaline, standard (carbon-zinc), or rechargeable (nickel-cadmium) batteries.
- Remove batteries if toy will not be used for a long period of time.
- For best performance, we recommend alkaline batteries.
- Do not recharge non-rechargeable batteries.

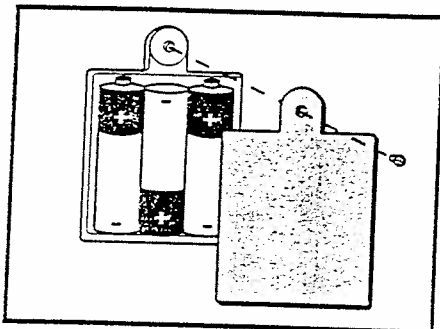


SCENERY ASSEMBLY

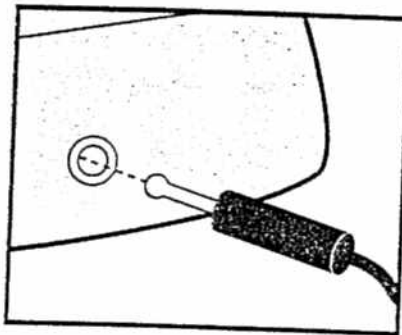
Fold and assemble scenery pieces as shown. (Please refer to layout diagram and package photos for scenery placement.)



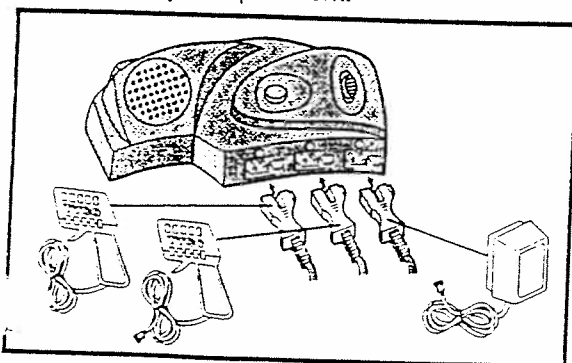
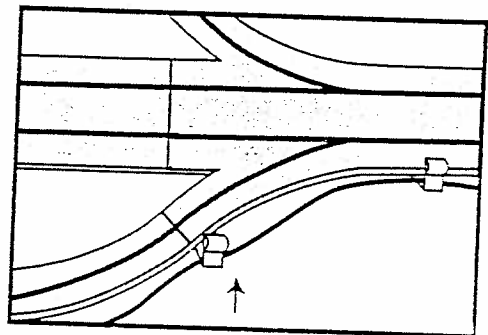
3 SETUP



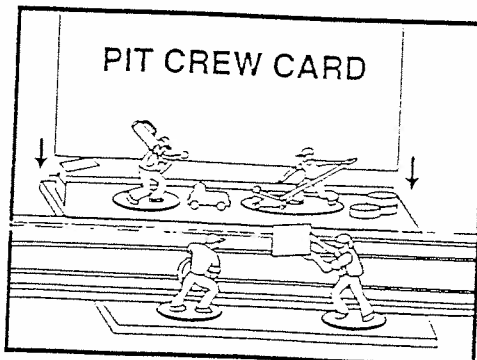
1. Insert 3 "AA" alkaline batteries into Sound Unit (E) as shown. Make sure polarity (+/-) matches diagram inside battery compartment.



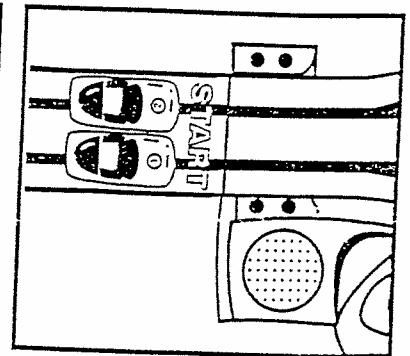
2. Plug cord of Sensor Track (H) into Sound Unit as shown. Clip cord to track using Cord Clips as shown.



3. Plug Controllers and Power Pak into Sound Unit as shown.



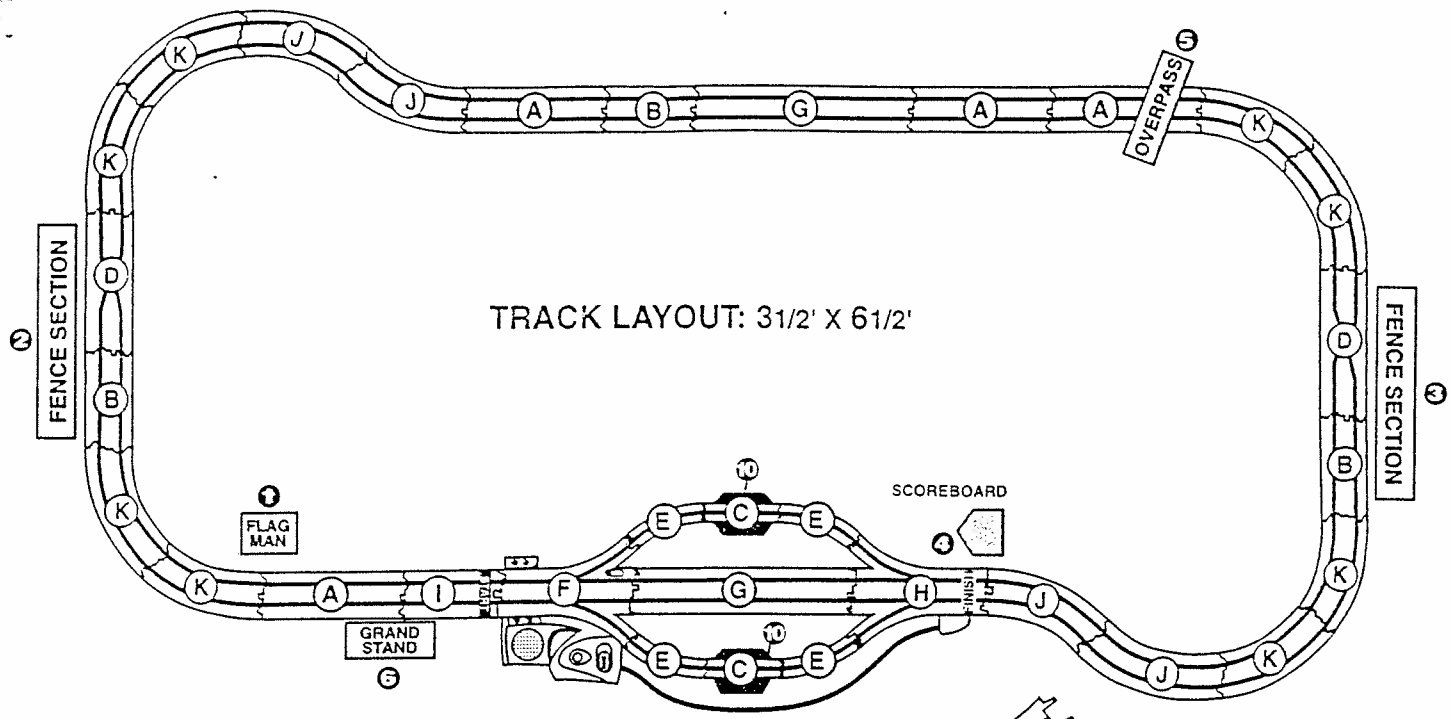
4. Insert Pit Crew Cards into Pit Crew Bases as shown.



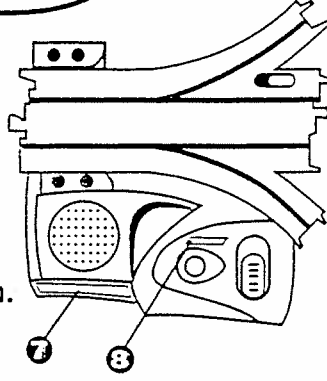
5. Plug Pit cars on track at "START" line. OUTSIDE TRACK: CAR #1. INSIDE TRACK: CAR #2.

4 TRACK LAYOUT

Assemble track as shown below. Match lettered track pieces to those found in the parts list. Refer to the accompanying Owner's Manual for complete wiring instructions and Power Pak and controller connections.



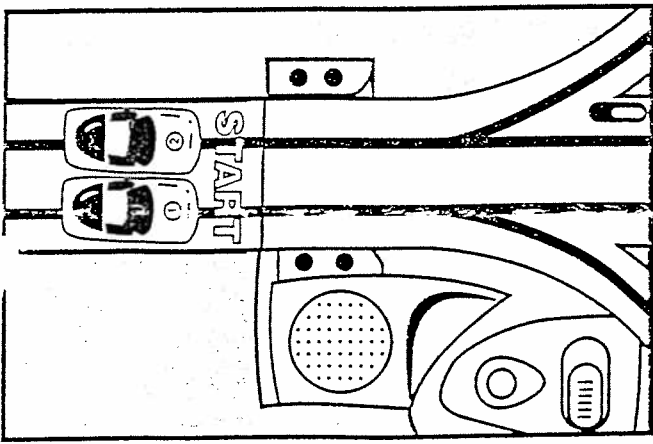
Apply labels 7 and 8 to Sound Unit (F) as shown.



5 READY TO RACE!

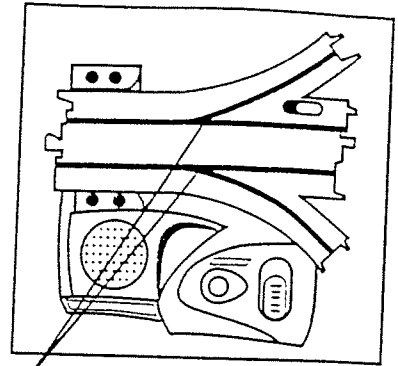
1. Plug Power Pak into wall outlet.
2. Turn Sound Unit "ON." Press "START" button. The LED display will flash and engine sounds will begin.
3. When the Track Announcer says "THERE'S THE GREEN FLAG!" – start racing! REMEMBER: you'll have to make several pit stops during the race in order to win – just like a real race car driver. Keep listening to the Track Announcer for your pit stop calls!

THE TRACK ANNOUNCER WILL TELL YOU WHAT TO DO DURING THE RACE:

	ANNOUNCEMENT	ACTION
	THERE'S THE GREEN FLAG!..... (Green LEDs on)	START THE RACE!
	CAR 1, PIT NOW! or CAR 2, PIT NOW!..... (Red LED flashing)	PULL INTO THE PIT!
	GO, GO, GO!..... (Green LED on)	PULL OUT OF THE PIT!
	CAR 1, ONE LAP TO GO! or CAR 2, ONE LAP TO GO!.....	ONE LAP TO FINISH!
	THERE'S THE CHECKERED FLAG CAR 1 WINS! or CAR 2 WINS! (Winning lane: Green LED flashing) (Losing lane: Red LED on)	YOU'RE THE WINNER! THE CROWD CHEERS!

6 MAKE YOUR PIT STOPS!

- You'll have to use real racing strategy and make several pit stops during the race in order to win – just like a real race car driver. Keep listening to the track announcer for your pit stop calls!
- If you don't make your pit stops, or if you leave the pit too soon, your car will lose half of its power and your laps won't be counted! The track announcer will keep telling you to pit. You won't get full power back until you do!
- To pull into the pits, slow down as you reach the Speed-Steering™ pit turn-off. This



Speed-Steering™ Turn-Off

7 RACE TIPS

NASCAR® Super Sound™ racing is like REAL auto racing – it takes a little time, and practice and strategy to sharpen your skills! Here are some "pro" race tips to get you started.

- 💡 Wait for the "green flag" before starting! If you start too soon, you'll lose the race!
- 💡 It may be a little hard for younger drivers to pull off into the pit area. When called into the pits, they can stop ANYWHERE in the pit area – even on the straightaway. The pit stop will happen as usual!
- 💡 If your car goes off the track anywhere in the pit area (or stops in the pit area) WITHOUT getting a pit stop call, you will be "penalized" by having an "extra" pit stop happen automatically!
- 💡 Remember: races are won in the curves. It's important (especially when you're coming out of the pit area) not to go into the curve too slowly OR too quickly. This will take a little practice!
- 💡 You can race without the Sound Unit turned on. Use this feature to warm up your cars with a few practice laps before the race!

8 IMPORTANT BATTERY INFORMATION

- Do not mix old and new batteries.
- Do not mix alkaline, standard (carbon-zinc), or rechargeable (nickel-cadmium) batteries.
- Remove batteries if toy will not be used for a long period of time.
- For best performance, we recommend alkaline batteries.
- Do not recharge non-rechargeable batteries

TYCO® ELECTRIC RACING SERVICE CENTER

If you have any questions about your race set, our racing "pros" are just a phone call away!
Call toll-free: 1-888-557-TYCO (Monday – Friday, 8:00 a.m. – 5:00 p.m. EST).

© & © 1998 Mattel, Inc., Mt. Laurel, NJ 08054 U.S.A. PRINTED IN CHINA. All Rights Reserved. © and ™ designate U.S. trademarks of Mattel, Inc.

For more information, contact your local retailer or write to: Mattel U.K., Ltd., Meridian West, Leicester LE3 2WT, Mattel Australia Pty., Ltd., Richmond, Victoria 3121 - Consumer Advisory Service: 1800 800 812 (valid only in Australia), Mattel East Asia Limited, 930 Ocean Centre, Harbour City, HK, China.

NASCAR® is a registered trademark of The National Association for Stock Car Auto Racing, Inc.
All other trademarks are used under license or with permission.

Drivers' names and/or likenesses are used under license or with permission.